



## Assembly-, Operation- and Maintenance Instructions, EC-declaration

### Axial Fans Type AFC VB

The manual should always be available for the operating personnel. The instructions should be carefully read before installation and operation of the fan. If strict notice is taken of these instructions, the fans run with trouble-free operating for years.

With reservations for the right to make alterations. If doubtful, get in touch with the manufacturer.

#### Table of contents

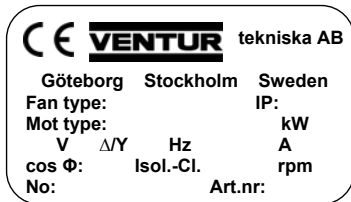
<b>A</b>	Technical data
<b>B</b>	Warranty
<b>C</b>	Safety
<b>D</b>	Installation
<b>E</b>	Start of operation
<b>F</b>	Belt drive
<b>G</b>	Maintenance
<b>H</b>	Spare parts list
<b>I</b>	Manufacturer declaration

#### **A** Technical Data

Following data is for the fan in its basic form, however, delivered fan can differ from the basic form. See the mark sign or the text "Special execution". Fans type AFC VB have casing of powder coated steel sheet and an impeller of polypropylene or aluminium, and should only be used for conveying clean media. AFC fans may be delivered with protection net as accessory.

The temperature of the conveyed medium may not exceed 80°C for fans equipped with a poliamid impeller and 100°C for fans equipped with an aluminium impeller. It is not permitted to use the fan in surroundings where the temperature exceeds 40°C or goes below -20°C. Conveying of explosive gases is not permitted. It is not permitted to rebuild or in any other way modify the fan. Special features that can be used in other surroundings than above can be offered on request and clarification with the manufacturer.

#### Rating plate



When connecting, maintenance or ordering of spare parts, pay attention to data on the mark sign in first instance.

#### Special execution

EEx motors, housing and impeller in other materials, can be delivered on request and after clarification with the manufacturer.

#### **B** Warranty

Warranty is valid in accordance with General Conditions Orgalime S2000 and only if these instructions are strictly adhered to.

#### **C** Safety

Following safety instructions must be carefully followed with regard to preventing injury or damage to surrounding equipment and to the fan itself.

##### 1 Suction

###### Warning!

Axial fans have high suction power. Objects, clothing and hair can easily be sucked into the fan and cause injury. Make sure that there are no persons nearby the inlet side when the fan operates. The fan must never operate without a wire guard because the rotation impeller can cause serious injury.

##### 2 Discharge side

###### Warning!

There is a powerful stream of air from the discharge side. Foreign bodies that might have been sucked into the fan can be thrown out at high speed and cause injury. Never put the hand directly at the discharge opening.

##### 3 Belt drive guard

###### Warning!

The belt drive is covered by a belt guard. Do not operate the fan if the guard is not attached and securely bolted. Danger of Injury!

##### 4 Temperature

###### Warning!

When the fan operates the fan housing takes the temperature of the conveyed media. If the fan housing temperature exceeds 50°C the fan must be protected from direct contact to prevent burn injury.

##### 5 Electrical connection

###### Warning!

Electrical connection must be made by skilled labour only. The drive motor should be protected with an overload switch.

##### 6 Permitted applications

###### Warning!

AFC VB-fans are not to be used for conveying aggressive, toxic or air with high humidity or gas or explosive air-gas mix.

##### 7 Sound level

The sound pressure level is not the same over the whole range on the fans. In some cases it is necessary to use a silencer. We recommend the user to check the sound pressure level.

#### **D** Installation

##### 1 Transportation

Check all parts for damage during transportation and that the impeller runs free inside the housing. The blowers are to be installed in weather-protected places and are not to be stored unprotected outdoors. Mount hoisting hook carefully, and do only use lifting arrangements with sufficient strength.

##### 2 Arrangements and assembling

Mount the fan horizontally or vertically in a weather-protected place. Make sure that the fan is protected from vibration and shock. Supply open inlet and discharge openings with guards according to valid regulations. Make sure that the drive motor is supplied with sufficient ventilation. The permitted maximum temperature of surroundings is 40°C.

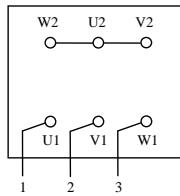
##### 3 Electrical connection

###### Attention!

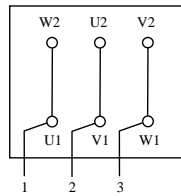
The operations described in this part are to be made by skilled labour only. Connect the fan in accordance with the wiring diagram in the terminal box. The respective VDE regulations and the directions of the local power supply company are to be complied with.

The fan is equipped with a drive motor for single- and three-phase AC. The motor should be protected with an overload switch. Connection to earth is to be found in the terminal box.

### Connection of three-phase AC unit

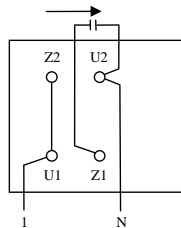
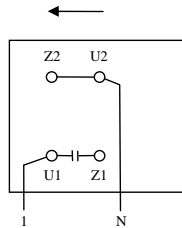


(high voltage Y-connection)



(low voltage Δ-connection)

### Connection of single-phase AC unit



The arrows indicate the direction of rotation seen from the shaft side of the motor.

### 4 Inspection of rotation direction

Start up the fan for a short moment, inspect the rotation direction. The rotation direction of the impeller must be in accordance with the arrows on the house. If not, move the L1 and L3 phases for three-phase operation or check the wiring circuit in the terminal box for single-phase operation. Incorrect rotation direction will cause reduced capacity of the fan and could damage the impeller.

### E Start of Operation

If the rated current indicated on the rating plate is being exceeded during operation, it should be checked whether the available supply voltage and frequency are in accordance with the embossed data. Some fans cannot be operated with free airflow (see catalogue). The drive motor is sized for the power requirements when the fan operates in the filled part of the capacity curve. At lower resistance the working range moves out to the pointed part of the capacity curve and the air volume and current increase. The motor will be overloaded with possible overheating as a consequence. To avoid overload it is possible to fit a throttle on the inlet- or discharge side. Do not expose the fan to vibrations and shock.

### F Belt Drive

#### Warning!

Never operate the fan without approved belt guard.

#### 1 Belt tension

Correct belt tension is very important for lifetime and the power consumption. Measure the distance between the pulleys "C" in m, calculate the necessary inward bending of the belt "f" in mm half-way between the pulleys according to the formula  $f=C \times 16$ . Measure the necessary force "P" that should be applied half-way between the pulleys at the right angle to achieve inward bending "f" of the belt. New belts should be tightened so that the necessary inward bend will be equivalent to the higher tabular value P (see table).

Belt profile	Smaller pulley Ø	P [N]
SPZ	67 - 95	10 - 15
SPZ	100 - 200	15 - 20
SPA	100 - 200	15 - 25

Check belt tension after 50 hours of operation.

### 2 General

Do not force the belt into its tracks by using heavy force. See to that the pulleys are parallel to each other. Regular control of the belt drive increases the life expectancy.

### F Maintenance

AFC VB-fans are equipped with enclosed grooved ball bearings that do not need lubrication. The grease filling is sufficient for the whole service life of the bearings.

### Attention!

Repair work on fans should be done by the manufacturer. We do not take any responsibility for repairs done by third parties.

### G Spare Parts List

When ordering spare parts, please state the size of the fan and part number in accordance with the spare parts list (page 6).

## H Manufacturer declaration

### EC Declaration of conformity for machinery (Machinery Directive 2006/42/EC, Annex 2, A)

Manufacturer: Ventur tekniska ab  
Manufakturgatan 7 A  
SE-417 07 GÖTEBORG  
Sweden

Name and address of the person authorised to compile the relevant technical file:  
Name: Peter Skoow  
Address: See above

Herewith declares that: **Axial Fans Type AFC VB**

- is in conformity with the relevant provisions of the Machinery Directive (2006/42/EC)
- is in conformity with the provisions of the following other EC-Directives:  
Low Voltage Directive 2006/95/EC

And furthermore, declares that:

- the following European harmonised standards have been used:  
EN ISO 12100-1  
EN ISO 12100-2

This EC Declaration of conformity for machinery is only valid when all conditions stated in the "Assembly-, Operation- and Maintenance Instructions, EC-declaration" are fulfilled.

The machinery must not be put into service until the final machinery or construction into which it is to be incorporated has been declared in conformity with the provisions of the Machinery Directive 2006/42/EC.

If modification of the unit is made without our approval, this declaration becomes invalid.

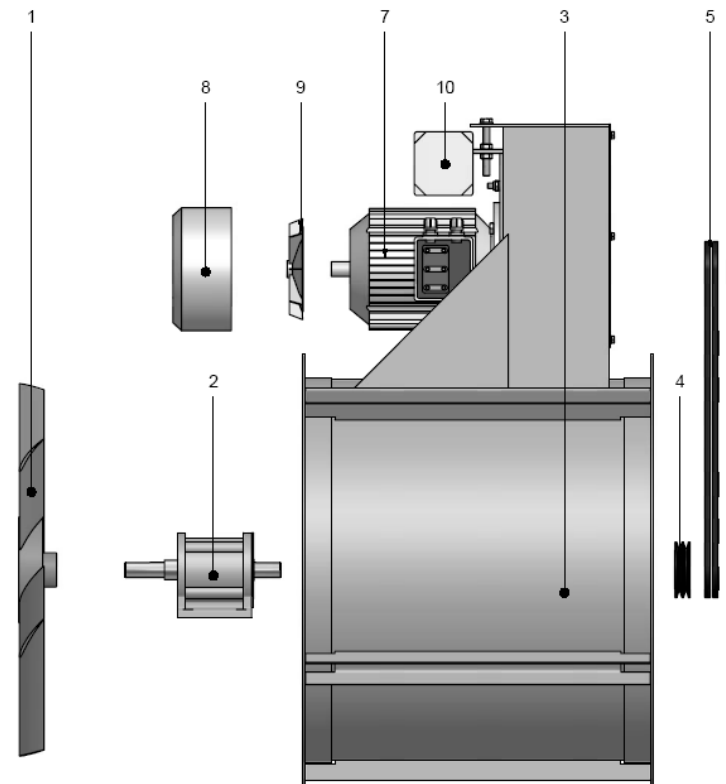
Göteborg 2010-05-10



Peter Skoow  
MD, Ventur tekniska ab

Adress	Telefon	Telefax
Ventur tekniska ab	Nat 031-23 50 80	Nat 031-23 87 98
Manufakturgatan 7 A	Int +46 31 23 50 80	Int +46 31 23 87 98
SE-417 07 GÖTEBORG, Sweden	E-mail: info@ventur.se	Web: www.ventur.se

## Spare Parts List



- 1 Impeller
- 2 Bearing unit complete
- 3 Fan housing
- 4 V-belt pulley fan side
- 5 V-belts
- 6 V-belt pulley motor side
- 7 Motor complete
- 8 Fan guard
- 9 Ventilating fan
- 10 Terminal box lid