



### Application

The base protects the motor from adverse effects of weather conditions.

### Construction

The base is made of steel sheet, painted, on request it is possible to manufacture it of stainless steel or PP.

### Beteckningar

1

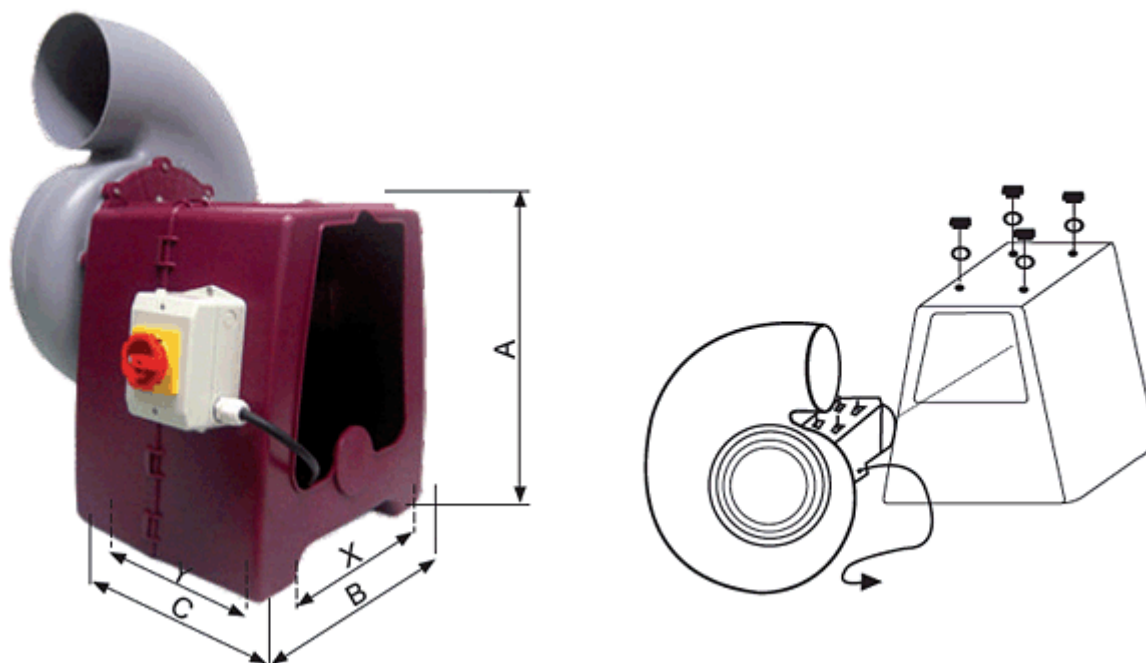
**PO 450**

1. Height of the base

### Teknisk data

Modell
PO 450
PO 550
PO 700

### Dimensioner (mått i millimeter)



	model	A	B	C	X	Y
VISP 15,20,25 VASP 12,14	450	450	425	340	318	270
VISP 25-2P,30 VASP 16	550	550	425	340	318	270
VISP 35	700	715	585	505	520	430

Manufakturvägen 7A  
SE-417 07 Göteborg, Sweden

Västberga Allé 1A  
SE 126 30 HÄGERSTEN, Sweden

Tel. +46 31-23 50 80  
fax +46 31-23 87 98

Tel. +46 8-534 101 90  
fax +46 8-534 101 99

e-mail: [info@ventur.se](mailto:info@ventur.se)

e-mail: [info@ventur.se](mailto:info@ventur.se)