

Tillämpning

Radialfläkt anpassad för industriellt bruk. Används för transport av rena medium. Lämpar sig för applikationer med lågt tryckmotstånd.

Konstruktion

Fläkten är direkt driven med dubbla inlopp och har fläkthus tillverkat i galvaniserat stål. Fläkthjulet har framåtböjda skovlar (hjultyp F) och är även det tillverkat i galvaniserat stål. Fläkten är omålad.

Motorer

Produkter monteras i standardutförande med en asynkron enfasmotor för drift i 230V 50Hz eller trefasmotor för drift i 230/400V 50Hz (motoreffekt < 4kW) eller 400/690V 50Hz. Motorerna uppfyller IEC-standarder 60072 och 60034, har kapslingsklass IP44 och isolationsklass F. Motorerna är utrustade med TP-sensorer. Om inget annat anges är motorns maximala omgivningstemperatur 40°.

För frågor om varvtalsreglering med hjälp av transformator eller frekvensomvandlare ber vi er höra av er till oss på Ventur. Vid förfrågan erbjuder vi även att montera motorer för annan drivspänning, med diverse sensorer eller i andra specialutföranden för att möta era krav och önskemål.

Beteckningar

Teknisk data

Modell	Drift	Märkspänning [V]	P max [W]	I max [A]	Q max [m3/h]	P statiskt [Pa]	LWA [db(A)]	Vikt [kg]	Temp. max. [°C]
CBM-7/7 72W 6P RE VR	230V	230	72	0.6	1440	136	56	6.5	70
CBM-7/7 72W 6P RE VR	180V	180	72	0.6	1100	123	56	6.5	70
CBM-7/7 72W 6P RE VR	140V	140	72	0.6	790	134	56	6.5	70
CBM-7/7 72W 6P RE VR	100V	100	72	0.6	510	128	56	6.5	70
CBM-7/7 147W 4P RE VR	230V	230	147	1.2	1470	320	63	6.9	40
CBM-7/7 147W 4P RE VR	180V	180	147	1.2	1080	305	63	6.9	40
CBM-7/7 147W 4P RE VR	140V	140	147	1.2	750	295	63	6.9	40
CBM-7/7 147W 4P RE VR	100V	100	147	1.2	500	235	63	6.9	40
CBM-7/7 300W 4P RE VR	230V	230	300	2	2200	370	64	7.2	60
CBM-7/7 300W 4P RE VR	180V	180	300	2	1750	310	64	7.2	60
CBM-7/7 300W 4P RE VR	140V	140	300	2	1230	275	64	7.2	60
CBM-7/7 300W 4P RE VR	100V	100	300	2	800	230	64	7.2	60
CBM-7/9 72W 6P RE VR	230V	230	72	0.9	1850	145	60	6.5	70
CBM-7/9 72W 6P RE VR	180V	180	72	0.9	1280	136	60	6.5	70
CBM-7/9 72W 6P RE VR	140V	140	72	0.9	520	127	60	6.5	70
CBM-7/9 300W 4P RE VR	230V	230	300	2.2	2530	335	67	9.8	40
CBM-7/9 300W 4P RE VR	180V	180	300	2.2	1840	315	67	9.8	40
CBM-7/9 300W 4P RE VR	140V	140	300	2.2	1320	295	67	9.8	40
CBM-9/7 200W 6P RE VR	230V	230	200	1.5	1900	200	59	13.5	40
CBM-9/7 200W 6P RE VR	180V	180	200	1.5	1400	200	59	13.5	40
CBM-9/7 200W 6P RE VR	140V	140	200	1.5	1000	190	59	13.5	40
CBM-9/7 200W 6P RE VR	100V	100	200	1.5	620	165	59	13.5	40
CBM-9/7 245W 6P RE VR	230V	230	245	2	2650	195	64	14	50
CBM-9/7 245W 6P RE VR	180V	180	245	2	1950	191	64	14	50
CBM-9/7 245W 6P RE VR	140V	140	245	2	1200	193	64	14	50
CBM-9/7 245W 6P RE VR	100V	100	245	2	730	180	64	14	50

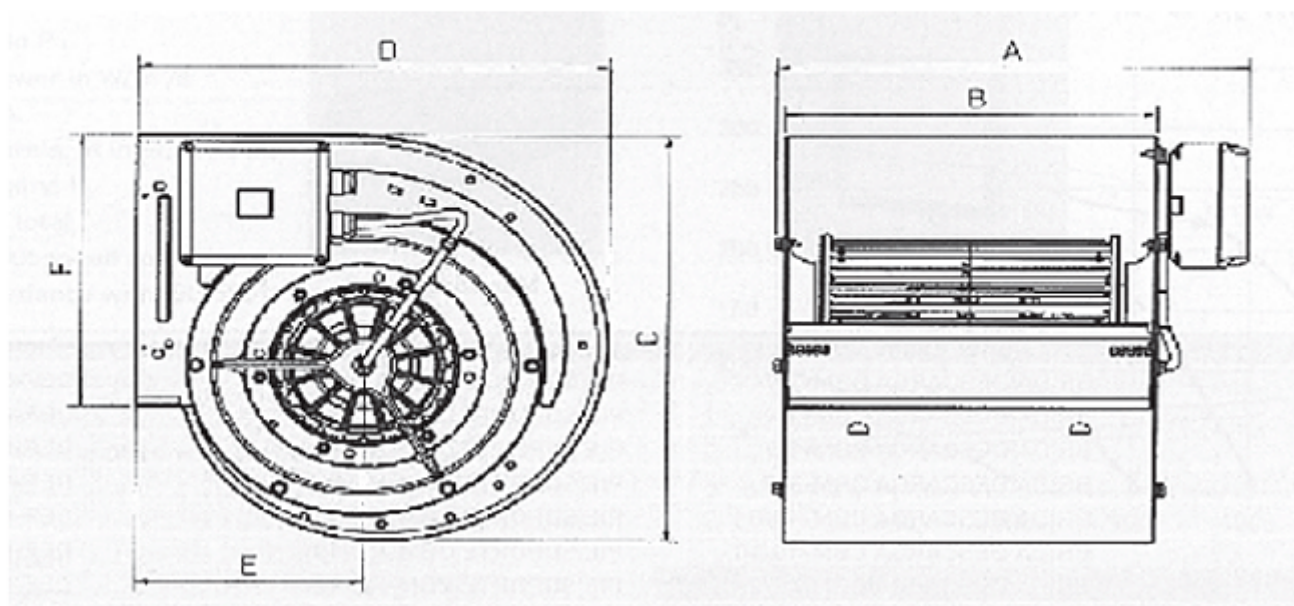
Modell	Drift	Märkspänning [V]	P max [W]	I max [A]	Q max [m ³ /h]	P statistiskt [Pa]	LWA [db(A)]	Vikt [kg]	Temp. max. [°C]
CBM-9/7 420W 4P RE VR	230V	230	420	3.2	2600	450	68	14.5	40
CBM-9/7 420W 4P RE VR	180V	180	420	3.2	1980	420	68	14.5	40
CBM-9/7 420W 4P RE VR	140V	140	420	3.2	1120	405	68	14.5	40
CBM-9/7 420W 4P RE VR	100V	100	420	3.2	750	210	68	14.5	40
CBM-9/9 200W 6P RE VR	230V	230	200	1.8	2760	210	63	14	40
CBM-9/9 200W 6P RE VR	180V	180	200	1.8	1950	205	63	14	40
CBM-9/9 200W 6P RE VR	140V	140	200	1.8	1470	195	63	14	40
CBM-9/9 200W 6P RE VR	100V	100	200	1.8	920	180	63	14	40
CBM-9/9 245W 6P RE VR	230V	230	245	2.2	2870	204	64	14.1	40
CBM-9/9 245W 6P RE VR	180V	180	245	2.2	2030	202	64	14.1	40
CBM-9/9 245W 6P RE VR	140V	140	245	2.2	1250	196	64	14.1	40
CBM-9/9 245W 6P RE VR	100V	100	245	2.2	820	182	64	14.1	40
CBM-9/9 300W 4P RE VR	230V	230	300	2.8	2500	440	64	16.7	40
CBM-9/9 300W 4P RE VR	180V	180	300	2.8	1700	400	64	16.7	40
CBM-9/9 300W 4P RE VR	140V	140	300	2.8	1150	300	64	16.7	40
CBM-9/9 300W 4P RE VR	100V	100	300	2.8	780	80	64	16.7	40
CBM-9/9 550W 4P RE VR	230V	230	550	4.3	3470	440	71	17.7	40
CBM-9/9 550W 4P RE VR	180V	180	550	4.3	2700	420	71	17.7	40
CBM-9/9 550W 4P RE VR	140V	140	550	4.3	1570	395	71	17.7	40
CBM-9/9 550W 4P RE VR	100V	100	550	4.3	980	290	71	17.7	40
CBM-10/8 245W 6P RE VR	230V	230	245	2.8	2990	275	67	14.9	40
CBM-10/8 245W 6P RE VR	180V	180	245	2.8	2300	265	67	14.9	40
CBM-10/8 245W 6P RE VR	140V	140	245	2.8	1520	240	67	14.9	40
CBM-10/8 245W 6P RE VR	100V	100	245	2.8	960	180	67	14.9	40
CBM-10/8 515W 6P RE VR	230V	230	515	3.3	3750	270	71	19.5	40
CBM-10/8 515W 6P RE VR	180V	180	515	3.3	3120	245	71	19.5	40
CBM-10/8 515W 6P RE VR	140V	140	515	3.3	2080	232	71	19.5	40
CBM-10/8 515W 6P RE VR	100V	100	515	3.3	1250	218	71	19.5	40
CBM-10/8 550W 4P RE VR	230V	230	550	4.2	2900	600	68	18.6	40
CBM-10/8 550W 4P RE VR	180V	180	550	4.2	2250	580	68	18.6	40
CBM-10/8 550W 4P RE VR	140V	140	550	4.2	1380	560	68	18.6	40
CBM-10/8 550W 4P RE VR	100V	100	550	4.2	850	370	68	18.6	40
CBM-10/10 245W 6P RE VR	230V	230	245	2.8	3370	260	64	16	40
CBM-10/10 245W 6P RE VR	180V	180	245	2.8	2440	252	64	16	40
CBM-10/10 245W 6P RE VR	140V	140	245	2.8	1700	238	64	16	40
CBM-10/10 245W 6P RE VR	100V	100	245	2.8	1090	175	64	16	40
CBM-10/10 515W 6P RE VR	230V	230	515	3.4	4090	265	67	17.5	40
CBM-10/10 515W 6P RE VR	180V	180	515	3.4	3500	255	67	17.5	40
CBM-10/10 515W 6P RE VR	140V	140	515	3.4	2280	245	67	17.5	40
CBM-10/10 515W 6P RE VR	100V	100	515	3.4	1450	245	67	17.5	40
CBM-10/10 600W 4P RE VR	230V	230	600	4.6	3300	570	68	20.8	40
CBM-10/10 600W 4P RE VR	180V	180	600	4.6	2650	560	68	20.8	40
CBM-10/10 600W 4P RE VR	140V	140	600	4.6	1550	500	68	20.8	40
CBM-10/10 600W 4P RE VR	100V	100	600	4.6	900	165	68	20.8	40
CBM-12/9 515W 6P RE VR	230V	230	515	4.1	4195	410	65	21.5	40
CBM-12/9 515W 6P RE VR	180V	180	515	4.1	3400	390	65	21.5	40

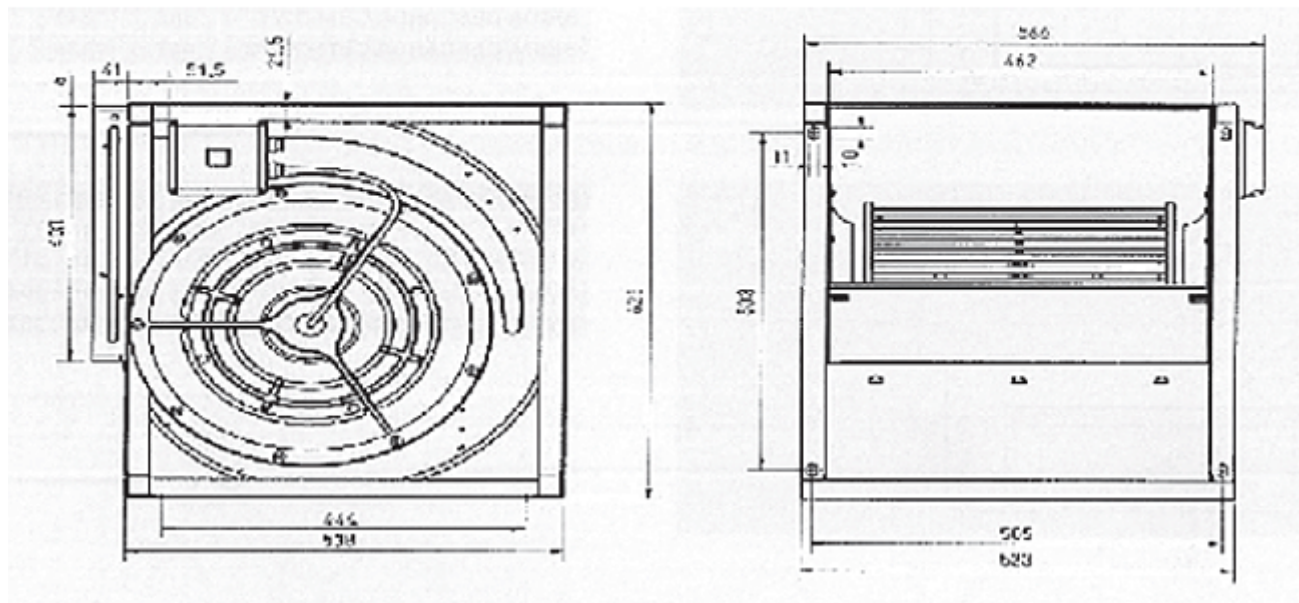
Modell	Drift	Märkspänning [V]	P max [W]	I max [A]	Q max [m ³ /h]	P statistiskt [Pa]	LWA [db(A)]	Vikt [kg]	Temp. max. [°C]
CBM-12/9 515W 6P RE VR	140V	140	515	4.1	2650	405	65	21.5	40
CBM-12/9 515W 6P RE VR	100V	100	515	4.1	1900	395	65	21.5	40
CBM-12/9 750W 6P RE VR	230V	230	750	5.5	4990	400	67	23.5	40
CBM-12/9 750W 6P RE VR	180V	180	750	5.5	4000	390	67	23.5	40
CBM-12/9 750W 6P RE VR	140V	140	750	5.5	3000	375	67	23.5	40
CBM-12/9 750W 6P RE VR	100V	100	750	5.5	1980	340	67	23.5	40
CBM-12/12 515W 6P RE VR	230V	230	515	4.2	4540	405	66	22	40
CBM-12/12 515W 6P RE VR	180V	180	515	4.2	3360	395	66	22	40
CBM-12/12 515W 6P RE VR	140V	140	515	4.2	2450	370	66	22	40
CBM-12/12 515W 6P RE VR	100V	100	515	4.2	1600	195	66	22	40
CBM-12/12 750W 6P RE VR	230V	230	750	5.3	5240	400	68	24	40
CBM-12/12 750W 6P RE VR	180V	180	750	5.3	4050	390	68	24	40
CBM-12/12 750W 6P RE VR	140V	140	750	5.3	3100	380	68	24	40
CBM-12/12 750W 6P RE VR	100V	100	750	5.3	2050	335	68	24	40
CBM-7/7 250W 4P T RE VR	400V	400	250	0.7	2320	310	65	7.1	65
CBM-7/7 250W 4P T RE VR	300V	300	250	0.7	1970	300	65	7.1	65
CBM-7/7 250W 4P T RE VR	250V	250	250	0.7	1710	290	65	7.1	65
CBM-7/7 250W 4P T RE VR	200V	200	250	0.7	1410	265	65	7.1	65
CBM-7/7 250W 4P T RE VR	160V	160	250	0.7	1150	235	65	7.1	65
CBM-9/7 550W 4P T RE VR	400V	400	550	1.8	3350	450	70	14	40
CBM-9/7 550W 4P T RE VR	300V	300	550	1.8	2850	425	70	14	40
CBM-9/7 550W 4P T RE VR	250V	250	550	1.8	2500	425	70	14	40
CBM-9/7 550W 4P T RE VR	200V	200	550	1.8	2100	400	70	14	40
CBM-9/7 550W 4P T RE VR	160V	160	550	1.8	1650	370	70	14	40
CBM-9/9 245W 6P T RE VR	400V	400	245	0.9	3330	202	67	14.1	40
CBM-9/9 245W 6P T RE VR	300V	300	245	0.9	2890	198	67	14.1	40
CBM-9/9 245W 6P T RE VR	250V	250	245	0.9	2550	196	67	14.1	40
CBM-9/9 245W 6P T RE VR	200V	200	245	0.9	2120	192	67	14.1	40
CBM-9/9 245W 6P T RE VR	160V	160	245	0.9	1730	180	67	14.1	40
CBM-9/9 550W 4P T RE VR	400V	400	550	3.2	4830	430	75	14.1	40
CBM-9/9 550W 4P T RE VR	300V	300	550	3.2	4330	422	75	14.1	40
CBM-9/9 550W 4P T RE VR	250V	250	550	3.2	3900	418	75	14.1	40
CBM-9/9 550W 4P T RE VR	200V	200	550	3.2	3220	405	75	14.1	40
CBM-9/9 550W 4P T RE VR	160V	160	550	3.2	2580	390	75	14.1	40
CBM-10/8 245W 6P T RE VR	400V	400	245	1.1	3470	280	68	14.9	40
CBM-10/8 245W 6P T RE VR	300V	300	245	1.1	2900	275	68	14.9	40
CBM-10/8 245W 6P T RE VR	250V	250	245	1.1	2500	270	68	14.9	40
CBM-10/8 245W 6P T RE VR	200V	200	245	1.1	2000	255	68	14.9	40
CBM-10/8 245W 6P T RE VR	160V	160	245	1.1	1650	238	68	14.9	40
CBM-10/8 350W 6P T RE VR	400V	400	350	1.6	4330	275	73	14.9	40
CBM-10/8 350W 6P T RE VR	300V	300	350	1.6	3830	275	73	14.9	40
CBM-10/8 350W 6P T RE VR	250V	250	350	1.6	3400	270	73	14.9	40
CBM-10/8 350W 6P T RE VR	200V	200	350	1.6	2830	265	73	14.9	40
CBM-10/8 350W 6P T RE VR	160V	160	350	1.6	2300	255	73	14.9	40
CBM-10/8 550W 4P T RE VR	400V	400	550	3.1	4230	620	72	18.9	40
CBM-10/8 550W 4P T RE VR	300V	300	550	3.1	3800	600	72	18.9	40

Modell	Drift	Märkspänning [V]	P max [W]	I max [A]	Q max [m ³ /h]	P statistiskt [Pa]	LWA [db(A)]	Vikt [kg]	Temp. max. [°C]
CBM-10/8 550W 4P T RE VR	250V	250	550	3.1	3400	585	72	18.9	40
CBM-10/8 550W 4P T RE VR	200V	200	550	3.1	2850	560	72	18.9	40
CBM-10/8 550W 4P T RE VR	160V	160	550	3.1	2300	520	72	18.9	40
CBM-10/10 245W 6P T RE VR	400V	400	245	1.1	3920	270	67	16	40
CBM-10/10 245W 6P T RE VR	300V	300	245	1.1	3200	260	67	16	40
CBM-10/10 245W 6P T RE VR	250V	250	245	1.1	2800	255	67	16	40
CBM-10/10 245W 6P T RE VR	200V	200	245	1.1	2280	245	67	16	40
CBM-10/10 245W 6P T RE VR	160V	160	245	1.1	1880	220	67	16	40
CBM-10/10 350W 6P T RE VR	400V	400	350	1.7	5000	270	72	20	40
CBM-10/10 350W 6P T RE VR	300V	300	350	1.7	4250	270	72	20	40
CBM-10/10 350W 6P T RE VR	250V	250	350	1.7	3750	260	72	20	40
CBM-10/10 350W 6P T RE VR	200V	200	350	1.7	3100	260	72	20	40
CBM-10/10 350W 6P T RE VR	160V	160	350	1.7	2600	245	72	20	40
CBM-10/10 550W 4P T RE VR	400V	400	550	2.9	4010	580	70	20	40
CBM-10/10 550W 4P T RE VR	300V	300	550	2.9	3650	560	70	20	40
CBM-10/10 550W 4P T RE VR	250V	250	550	2.9	3300	540	70	20	40
CBM-10/10 550W 4P T RE VR	200V	200	550	2.9	2900	520	70	20	40
CBM-10/10 550W 4P T RE VR	160V	160	550	2.9	2400	485	70	20	40
CBM-10/10 750W 4P T RE VR	400V	400	750	4.4	5880	590	76	20	40
CBM-10/10 750W 4P T RE VR	300V	300	750	4.4	5400	590	76	20	40
CBM-10/10 750W 4P T RE VR	250V	250	750	4.4	4800	580	76	20	40
CBM-10/10 750W 4P T RE VR	200V	200	750	4.4	4050	565	76	20	40
CBM-10/10 750W 4P T RE VR	160V	160	750	4.4	3250	540	76	20	40
CBM-12/12 550W 6P T RE VR	400V	400	550	2.9	6490	425	73	22	40
CBM-12/12 550W 6P T RE VR	300V	300	550	2.9	5800	415	73	22	40
CBM-12/12 550W 6P T RE VR	250V	250	550	2.9	5250	405	73	22	40
CBM-12/12 550W 6P T RE VR	200V	200	550	2.9	4400	400	73	22	40
CBM-12/12 550W 6P T RE VR	160V	160	550	2.9	3600	375	73	22	40
CBM-12/12 750W 6P T RE VR	400V	400	750	3.4	7480	410	75	22	40
CBM-12/12 750W 6P T RE VR	300V	300	750	3.4	6500	400	75	22	40
CBM-12/12 750W 6P T RE VR	250V	250	750	3.4	5900	400	75	22	40
CBM-12/12 750W 6P T RE VR	200V	200	750	3.4	5100	385	75	22	40
CBM-12/12 750W 6P T RE VR	160V	160	750	3.4	4250	365	75	22	40
CBM-12/12 1100W 6P T RE VR	400V	400	1100	3.3	7410	395	75	25	40
CBM-12/12 1100W 6P T RE VR	300V	300	1100	3.3	6400	380	75	25	40
CBM-12/12 1100W 6P T RE VR	250V	250	1100	3.3	5600	380	75	25	40
CBM-12/12 1100W 6P T RE VR	200V	200	1100	3.3	4800	360	75	25	40
CBM-12/12 1100W 6P T RE VR	160V	160	1100	3.3	3980	340	75	25	40
CBM-15/15 2200W 6P T RE VR K	400V	400	2200	7	11650	600	75	43	40
CBM-15/15 2200W 6P T RE VR K	300V	300	2200	7	10150	570	75	43	40
CBM-15/15 2200W 6P T RE VR K	250V	250	2200	7	9050	560	75	43	40

Modell	Drift	Märkspänning [V]	P max [W]	I max [A]	Q max [m ³ /h]	P statiskt [Pa]	LWA [db(A)]	Vikt [kg]	Temp. max. [°C]
CBM-15/15 2200W 6P T RE VR K	200V	200	2200	7	7800	540	75	43	40
CBM-15/15 2200W 6P T RE VR K	160V	160	2200	7	6450	505	75	43	40

Dimensioner (mått i millimeter)

CBM- 7-12

CBM-15/15 2200 6PT RE VR K

Modell	A	B	C	D	E	F
CBM 7/7	296	233	328	309	145	207
CBM 9/7	316	233	390	381	184	260
CBM 9/9	382	300	390	381	184	260
CBM 10/8	340	267	443	423	200	288
CBM 10/10	407	333	443	423	200	288
CBM 12/9	382	311	521	490	229	341
CBM 12/12	466	396	521	490	229	341

Tillbehör

TK-1



REB



TLR



ERV



RMB, RMT

VENTUR tekniska ab, Göteborg

Manufakturgatan 7A
SE-417 07 Göteborg, Sweden

Tel. +46 31-23 50 80
fax +46 31-23 87 98

VENTUR tekniska ab, Stockholm

Västberga Allé 1A
SE 126 30 HÄGERSTEN, Sweden

Tel. +46 8-534 101 90
fax +46 8-534 101 99

e-mail: info@ventur.se

e-mail: info@ventur.se