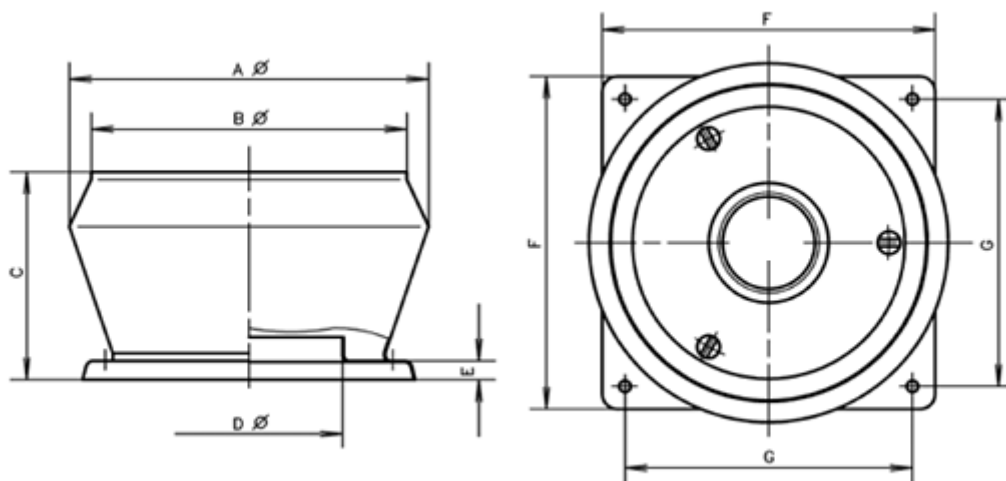


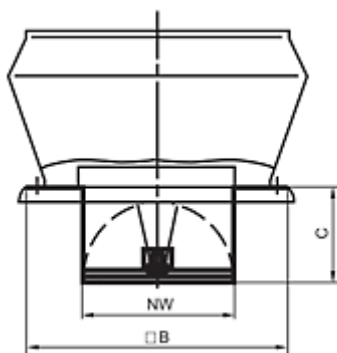
Modell	Märkspänning [V]	Hastighet [r.p.m.]	P max [W]	Q max [m ³ /h]	P statiskt [Pa]	LWA [db(A)]	Vikt [kg]	Temp. min. [°C]	Temp. max. [°C]
CDVA 560/35/1400	400	1400	1100	7800	285	71	47	-20	40
CDVA 560/35/900	400	900	250	4900	125	62	38	-20	40
CDVA 560/45/1400	400	1400	1500	9400	330	74	49	-20	40
CDVA 560/45/900	400	900	550	5900	140	65	41	-20	40
CDVA 630/30/1400	400	1400	1500	9800	350	77	53	-20	40
CDVA 630/30/900	400	900	550	6200	140	68	45	-20	40
CDVA 630/35/1400	400	1400	2200	10800	340	78	63	-20	40
CDVA 630/35/900	400	900	550	6850	140	69	45	-20	40
CDVA 630/45/1400	400	1400	4000	11450	355	79	71	-20	40
CDVA 630/45/900	400	900	1100	7150	150	70	53	-20	40
CDVA 710/30/1400	400	1400	2200	13000	440	75	68	-20	40
CDVA 710/30/900	400	900	750	7900	180	66	55	-20	40
CDVA 710/35/1400	400	1400	3000	14400	510	78	70	-20	40
CDVA 710/35/900	400	900	750	9000	210	69	55	-20	40
CDVA 710/45/1400	400	1400	5500	16250	530	79	100	-20	40
CDVA 710/45/900	400	900	1500	10150	230	70	64	-20	40

Dimensioner (mått i millimeter)



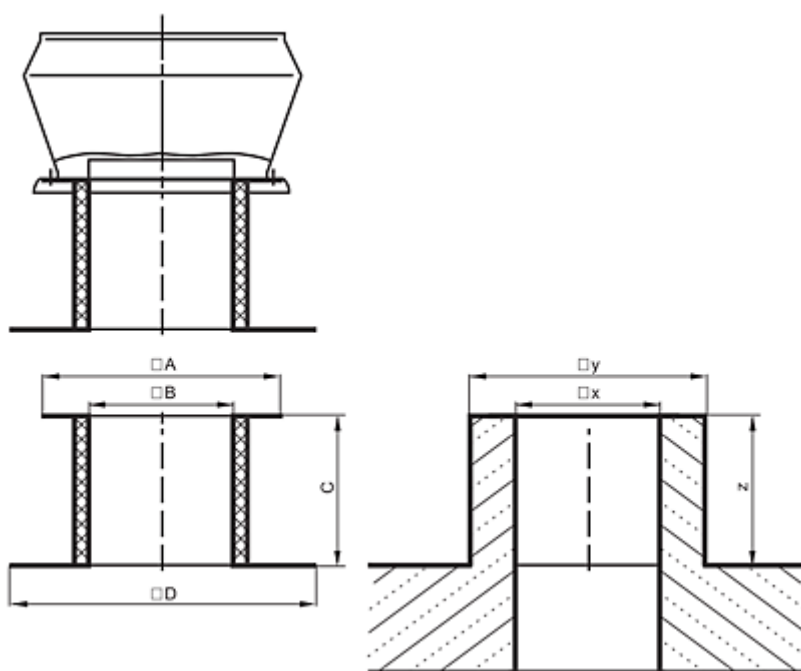
Modell	ØA	ØB	C	ØD	E	F	G
400	782	700	440	402	50	740	620
450	782	700	440	452	50	740	620
500	944	835	530	503	50	877	760
560	944	835	530	562	50	877	760
630	1154	980	620	633	50	1070	940
710	1154	980	620	713	50	1070	940

Extra utrustning



Backventil CDVA

Modell	NW	□B	C
400	400	680	250
450	450	680	280
500	500	820	300
560	560	820	330
630	630	1005	360
710	710	1005	395



Takstativ CDVA

Modell	□A	□B	C	□D	□x	□y	z
400	680	480	300	830	480	680	300
450	680	480	300	830	480	680	300
500	820	600	350	950	600	820	350
560	820	600	350	950	600	820	350
630	1005	750	400	1100	750	1000	400
710	1005	750	400	1100	750	1000	400

VENTUR tekniska ab, Göteborg

Manufakturgatan 7A
SE-417 07 Göteborg, Sweden

Tel. +46 31-23 50 80
fax +46 31-23 87 98

e-mail: info@ventur.se

VENTUR tekniska ab, Stockholm

Västberga Allé 1A
SE 126 30 HÄGERSTEN, Sweden

Tel. +46 8-534 101 90
fax +46 8-534 101 99

e-mail: info@ventur.se