



Application

The JET fans are designed for transporting media that contain aggressive chemical compounds, such as acidic or basic fumes, or combustion gases. They are suitable for use in exhaust installations, laboratory hoods, and in chemical plants.

Construction

The JET series comprises radial, roof-mounted fans with a vertical outflow, directly driven; they are available in three sizes: JET 20, JET 25 and JET 35. The housing is a compact structure. Major elements of the fan, such as the housing, rotor, outlet and the base are made of polypropylene reinforced by UV irradiation.

Other assembly elements are made of stainless steel.

The rotor is provided with forward-tilted blades and has been dynamically balanced according to ISO 1940. The fan is manufactured according to AMCA 210-85 and ISO 5801. Maximum temperature of the transported medium is 60°C.

Electric motor

The electric motors, asynchronous, single-phase 230V, 50Hz or three-phase 230/400V, 50 Hz are made in the insulation class F and the degree of protection IP 55.

Special applications

Specially designed, chemically resistant fans comply with the requirements of the ATEX Directive, concerning devices that may be used in potentially explosive atmospheres. Operating characteristics of the explosion-proof fans is the same as that of the standard fans.

Beteckningar

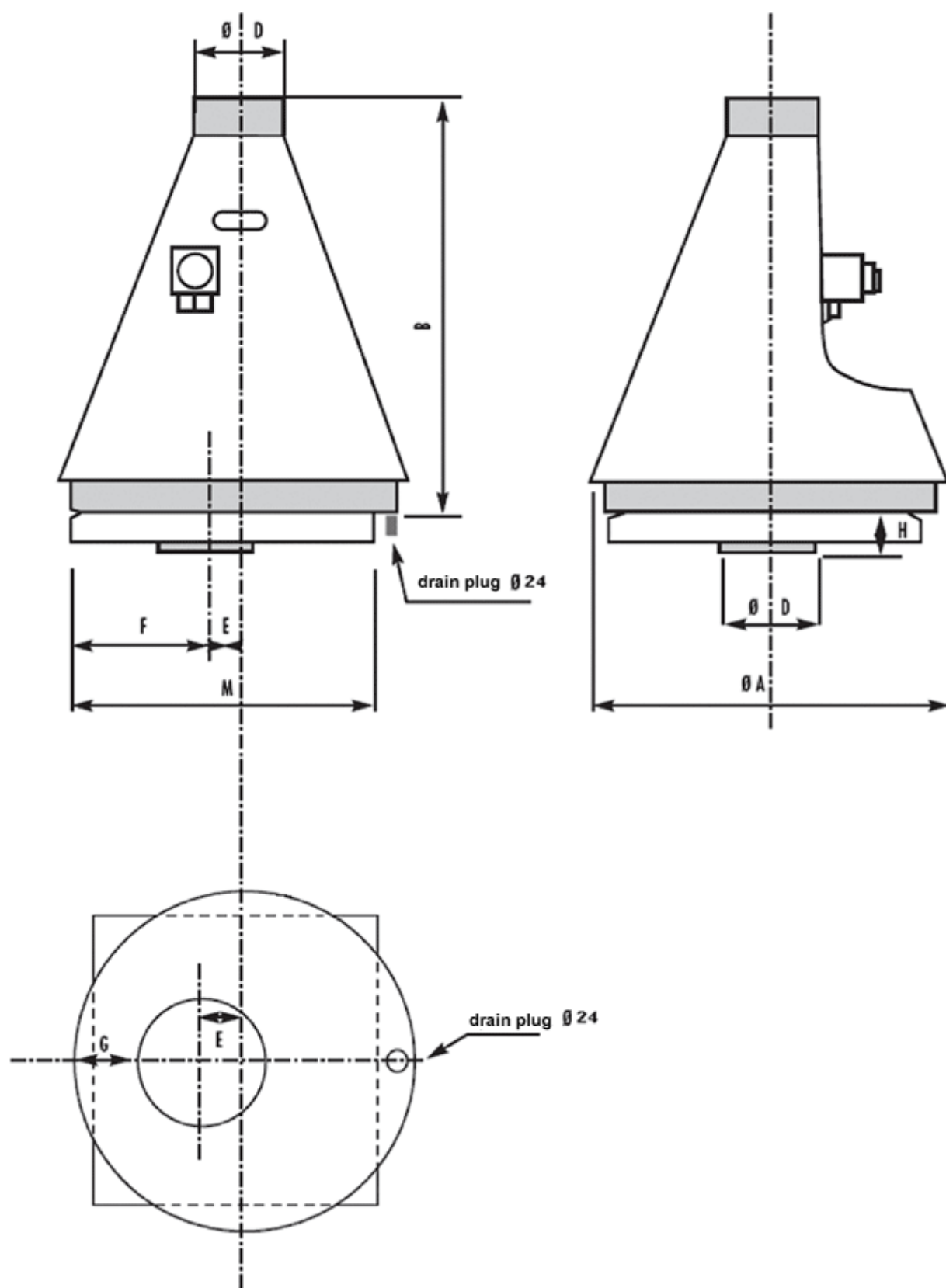
1
2
3
4
JET / 2 - 20 - 037 T

1. Number of motor poles (rotation speed)
2. Size of fan housing
3. Power 037 x 10 = 0,37 kW
4. **S** Single-phase motor
T Three-phase motor

Teknisk data

| Modell | Märkspänning [V] | Hastighet [r.p.m.] | P max [W] | I max [A] | Q max [m3/h] | P statiskt [Pa] | LWA [db(A)] | Vikt [kg] | Temp. min. [°C] | Temp. max. [°C] |
|---------------|------------------|--------------------|-----------|-----------|--------------|-----------------|-------------|-----------|-----------------|-----------------|
| JET/4-20-025S | 230 | 1450 | 250 | 2.5 | 900 | 205 | 70 | 20 | -20 | 40 |
| JET/2-20-075S | 230 | 2870 | 750 | 5.4 | 1500 | 830 | 85 | 25 | -20 | 40 |
| JET/2-20-110S | 230 | 2870 | 1100 | 7.2 | 1780 | 830 | 85 | 26 | -20 | 40 |
| JET/4-25-037S | 230 | 1450 | 370 | 3.1 | 1980 | 400 | 76 | 26 | -20 | 40 |
| JET/4-30-150S | 230 | 1450 | 1500 | 9.3 | 3850 | 580 | 83 | 40 | -20 | 40 |
| JET/6-20-018T | 400 | 930 | 180 | 0.75 | 580 | 85 | 60 | 23 | -20 | 40 |
| JET/4-20-025T | 400 | 1450 | 250 | 0.85 | 900 | 205 | 70 | 23 | -20 | 40 |
| JET/2-20-075T | 400 | 2870 | 750 | 1.65 | 1500 | 830 | 85 | 24 | -20 | 40 |
| JET/2-20-110T | 400 | 2870 | 1100 | 2.2 | 1780 | 830 | 85 | 26 | -20 | 40 |
| JET/6-25-018T | 400 | 930 | 180 | 0.75 | 1250 | 160 | 66 | 23 | -20 | 40 |
| JET/4-25-037T | 400 | 1450 | 370 | 1.2 | 1980 | 400 | 76 | 25 | -20 | 40 |
| JET/2-25-220T | 400 | 2870 | 2200 | 4.6 | 2200 | 1560 | 91 | 35 | -20 | 40 |
| JET/6-30-055T | 400 | 930 | 550 | 1.8 | 2450 | 240 | 73 | 38 | -20 | 40 |
| JET/4-30-150T | 400 | 1450 | 1500 | 3.6 | 3850 | 580 | 83 | 43 | -20 | 40 |

Dimensioner (mått i millimeter)



| Model | A | B | ØD | E | F | G | H | M |
|-------|-----|-----|-----|----|-----|-----|----|-----|
| 20 | 600 | 800 | 160 | 50 | 250 | 160 | 70 | 540 |
| 25 | 735 | 930 | 200 | 60 | 240 | 145 | 70 | 540 |

30

880

1040

250

70

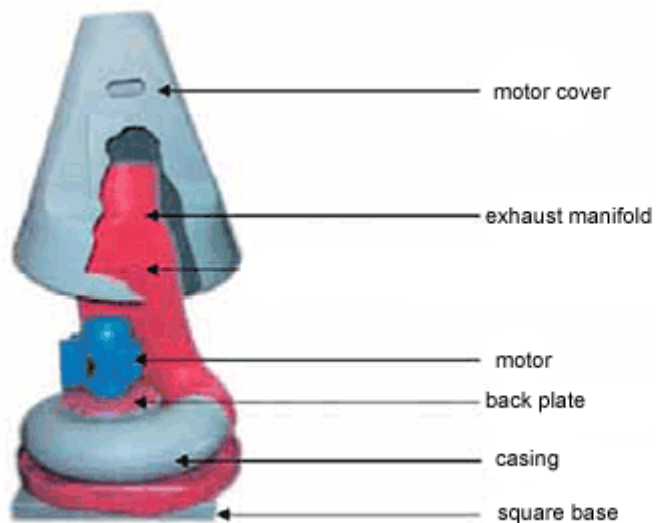
200

75

70

540

Fan schema



VENTUR tekniska ab, Göteborg

Manufakturgatan 7A
SE-417 07 Göteborg, Sweden

Tel. +46 31-23 50 80
fax +46 31-23 87 98

e-mail: info@ventur.se

VENTUR tekniska ab, Stockholm

Västberga Allé 1A
SE 126 30 HÄGERSTEN, Sweden

Tel. +46 8-534 101 90
fax +46 8-534 101 99

e-mail: info@ventur.se