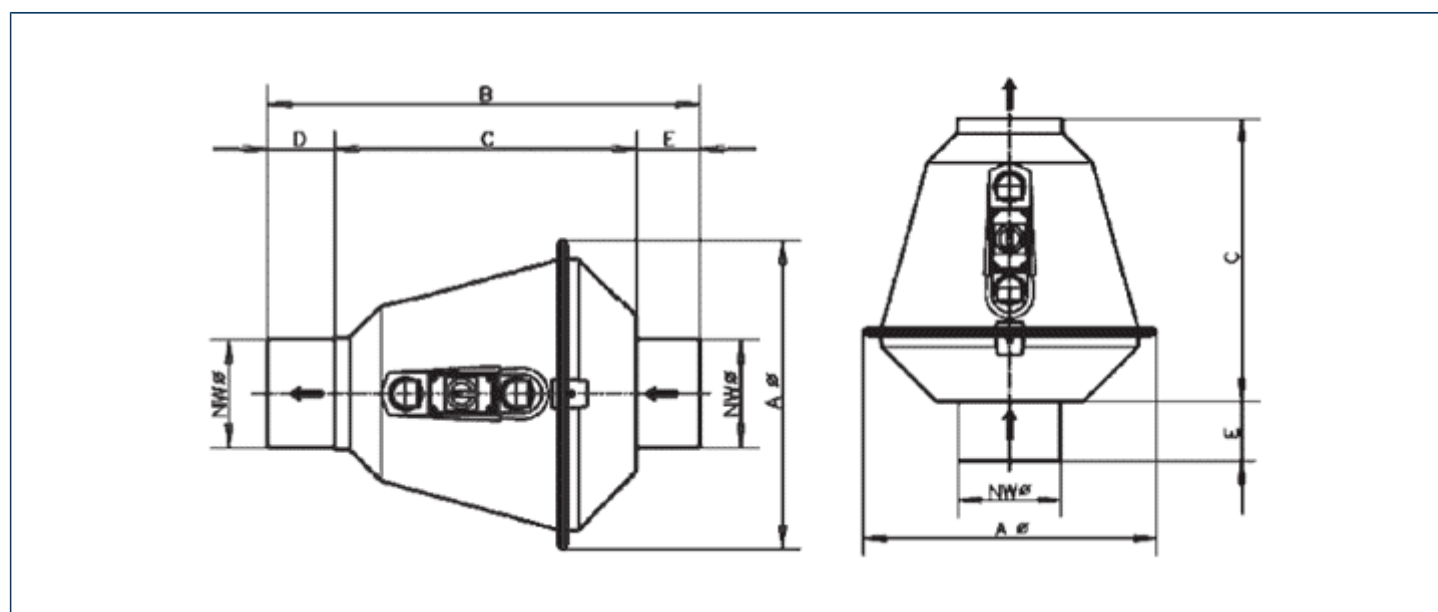




Modell	Drift	Märkspänning [V]	Hastighet [r.p.m.]	P max [W]	I max [A]	Q max [m <sup>3</sup> /h]	P statistiskt [Pa]	LWA [db(A)]	Vikt [kg]	Temp. min. [°C]	Temp. max. [°C]
CRDV-R 200/200/900T		400	900	180	0.75	800	100	46	17	-20	40
CRDV-R 200/200/1400T		400	1400	250	0.85	1200	250	55	17	-20	40
CRDV-R 200/200/2800T		400	2800	1500	3	2700	1050	70	29	-20	40
CRDV-R 200/200/1400/900T	HS	400	1400	250	0.9	1200	250	55	18	-20	40
CRDV-R 200/200/1400/900T	LS	400	900	180	0.9	800	100	46	18	-20	40
CRDV-R 200/200/2800/1400T	HS	400	2800	2000	4.3	2700	1050	70	30	-20	40
CRDV-R 200/200/2800/1400T	LS	400	1400	500	4.3	1200	250	55	30	-20	40
CRDV-R 250/225/900T		400	900	180	0.75	1150	120	48	19	-20	40
CRDV-R 250/225/1400T		400	1400	550	1.6	1750	300	57	26	-20	40
CRDV-R 250/225/2800T		400	2800	3000	5.3	3600	1280	72	37	-20	40
CRDV-R 250/225/1400/900T	HS	400	1400	750	1.98	1750	300	57	23	-20	40
CRDV-R 250/225/1400/900T	LS	400	900	250	1.98	1150	120	48	23	-20	40
CRDV-R 250/225/2800/1400T	HS	400	2800	3300	6.7	3600	1280	72	38	-20	40
CRDV-R 250/225/2800/1400T	LS	400	1400	850	6.7	1750	300	57	38	-20	40
CRDV-R 250/250/900T		400	900	180	0.75	1750	170	52	19	-20	40
CRDV-R 250/250/1400T		400	1400	750	2.1	2600	400	61	24	-20	40
CRDV-R 250/250/1400/900T	HS	400	1400	750	1.98	2600	400	61	22	-20	40
CRDV-R 250/250/1400/900T	LS	400	900	250	1.98	1750	170	52	22	-20	40
CRDV-R 315/280/900T		400	900	370	1.4	2200	220	56	25	-20	40
CRDV-R 315/280/1400T		400	1400	1100	2.5	3300	530	65	30	-20	40
CRDV-R 315/280/1400/900T	HS	400	1400	1100	2.9	3300	530	65	40	-20	40
CRDV-R 315/280/1400/900T	LS	400	900	370	2.9	2200	220	56	40	-20	40
CRDV-R 315/315/900T		400	900	550	1.8	2800	260	60	26	-20	40
CRDV-R 315/315/1400T		400	1400	2200	4.6	4400	640	69	40	-20	40
CRDV-R 315/315/1400/900T	HS	400	1400	2200	5.18	4400	640	69	43	-20	40
CRDV-R 315/315/1400/900T	LS	400	900	750	5.18	2800	260	60	43	-20	40

### Dimensioner (mått i millimeter)



Modell	NWØ	AØ	B	C	D	E
--------	-----	----	---	---	---	---

CRDV200	200	575	800	558	125	117
CRDV250	250	635	905	573	170	162
CRDV315	315	705	1031	599	220	212

### Tillbehör



Flap valve C



Bullerdämpande stativ  
RS



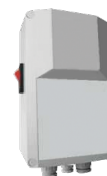
REB



TLR



RMB, RMT



ERV

### VENTUR tekniska ab, Göteborg

Manufakturvägen 7A  
SE-417 07 Göteborg, Sweden

Tel. +46 31-23 50 80  
fax +46 31-23 87 98

e-mail: [info@ventur.se](mailto:info@ventur.se)

### VENTUR tekniska ab, Stockholm

Västberga Allé 1A  
SE 126 30 HÄGERSTEN, Sweden

Tel. +46 8-534 101 90  
fax +46 8-534 101 99

e-mail: [info@ventur.se](mailto:info@ventur.se)